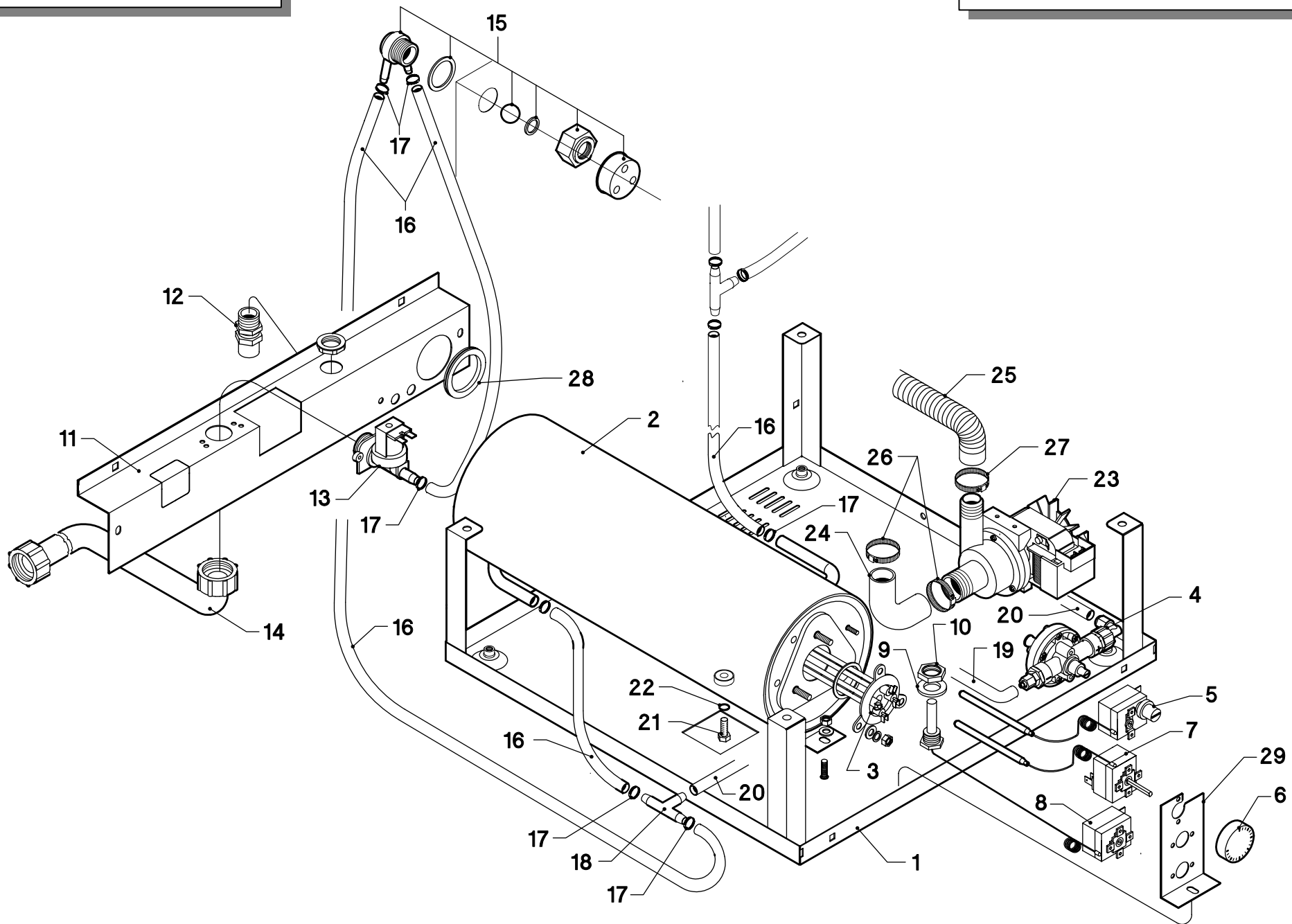
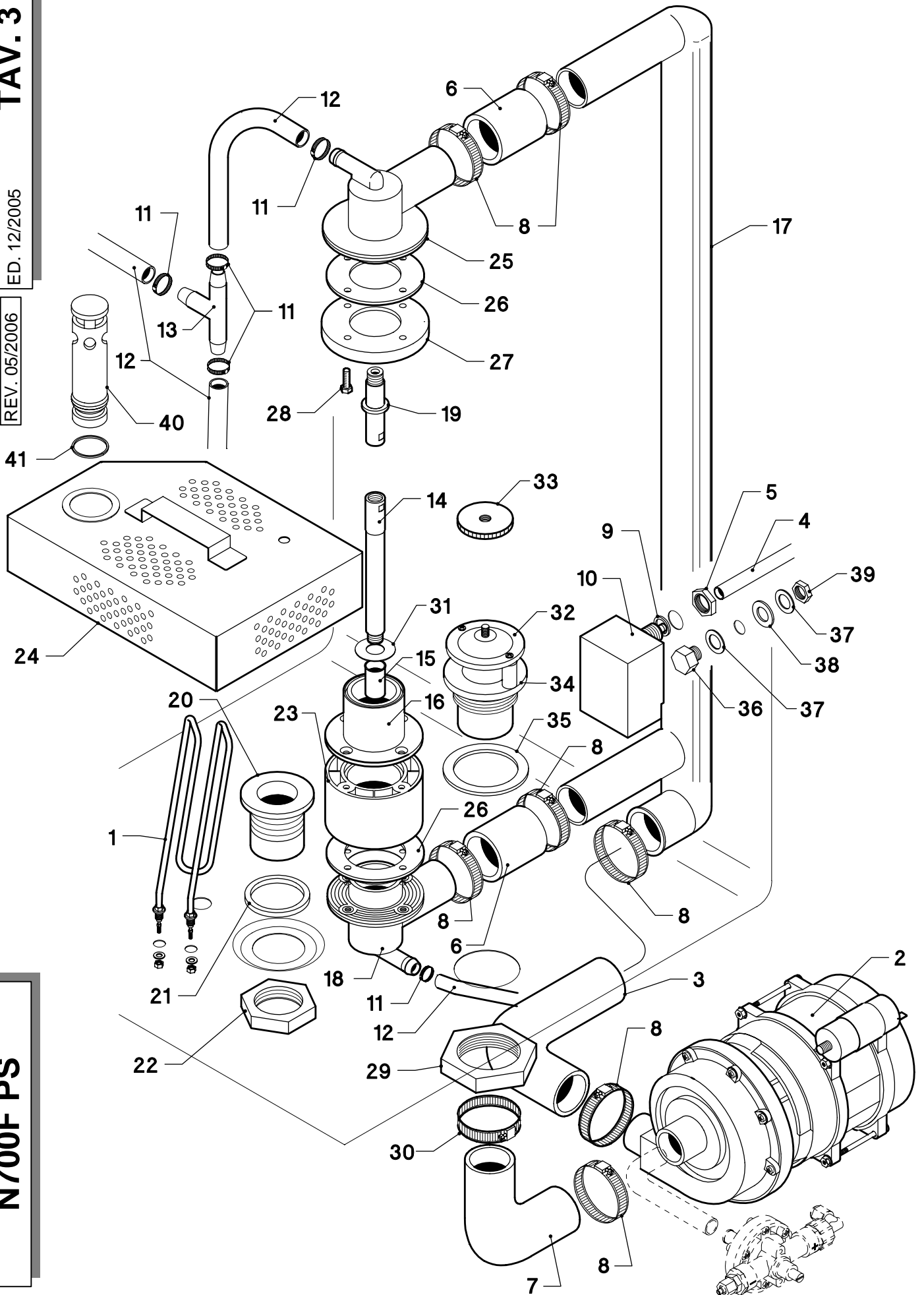


Pos.	COD.	Q.tà	DESCRIZIONE	DENOMINATION	DESCRIPTION	BEZEICHNUNG	DESCRIPCIÓN
1	904492	1	BASAMENTO	SOCLE	BASE	UNTERSTRUKTUR	BASE
2	904491	1	VASCA	BASSIN	TANK	WANNE	BATEA
3	905184	1	PORTA	PORTE	DOOR	TÜR	PUERTA
4	903651	1	CUSTODIA CON MAGNETE	PROTECTION MAGNETO	COVER MAGNET	MAGNETSCHUTZ	ESTUCHE CON IMÁN
5	906121	1	SCROCCHETTO INOX	CLIQUET FERMETURE PORTE	DOOR CATCH	SCHNAPPVERSCHLUSS	PICAPORTE RESORTE
6	902023	1	DADO SCROCCHETTO	ECROU DU CLIQUET	NUT LATCH	KLINKENMUTTER	TUERCA
7	903933	1	MANIGLIA PORTA	MANILLE	HANDLE	KLINKE	MANILLA
8	906730	1	PROFILO MANIGLIA	LISTEAU MANILLE	HANDLETRIM	KLINKE PROFIL	PERFIL MANILLA
9	904990	4	PIEDINO REGOLABILE	PETIT PIED RÉGABLE	RUBBER LEG	EINSTELLBARESOCKEL	PIÉ REGULABLE
10	904795	2	PERNO PORTA	TOURILLON DE LA PORTE	DOOR PIN	TÜRSCHARNIERESTIFT	PERNO PUERTA
11	901245	2	CERNIERA	PATTE	DOOR SUPPORT	SCHARNIER	BISAGRA
12	908608	1	PANNELLO LATERALE DX	PANNEAU DROITE	RIGHT PANEL	RECHTE VERKLEIDUNG	PANEL DERECHO LATERAL
13	908607	1	PANNELLO LATERALE SX	PANNEAU GAUCHE	LEFT PANEL	LINKE VERKLEIDUNG	PANEL IZQUIERDO LATERAL
14	908616	1	PANNELLO POSTERIORE	PANNEAU POSTERIEUR	BACK PANEL	HINTERE VERKLEIDUNG	PANEL POSTERIOR
15	902040	2	DADO ATB M6	ECROU	NUT	MUTTER	TUERCA
16	908612	1	PANNELLO SUPERIORE	PANNEAU SUPERIEUR	UPPER SIDE PANEL	OBERE VERKLEIDUNG	PANEL SUPERIOR
17	908614	1	PANNELLO INFERIORE	PANNEAU INFERIEUR	LOWER PANEL	UNTERE VERKLEIDUNG	PANEL INFERIOR
18	907240	2	TIRANTE PORTA	TIRANT DU PORTE	DOOR SCREW STAY	TÜRZUGSTANGE	VARILLA PUERTA
19	904952	2	PIASTRINA	PLAQUETTE	PLATE	PLATTEKEN	PLACA
20	905424	2	FERMO PORTA	FERMETURE PORTE	DOOR SUPPORT	TÜR HALTERUNG	TOPE PUERTA



Pos.	COD.	Q.tà	DESCRIZIONE	DENOMINATION	DESCRIPTION	BEZEICHNUNG	DESCRIPCIÓN
1	904492	1	BASAMENTO	SOCLE	BASE	UNTERSTRUKTUR	BASE
2	900353	1	BOILER	CHAUFFE EAU	BOILER	HEISSWASSERSPEICHER	BOILER
3	905569	1	RESISTENZA 3500W + OR	RESISTANCE + OR	HEATING ELEMENT + OR	HEIZKÖRPER + OR	RESISTENCIA + OR
4	902018	1	DOSATORE	DOSEUR	DOSING DEVICE	DOSIERSATZ	DOSIFICADOR
5	907125	1	TERMOSTATO DI SICUREZZA	THERMOSTAT	THERMOSTAT	THERMOSTAT	TERMÓSTATO DE SEGURIDAD
6	903982	1	MANOPOLA	BOUTON	KNOB	KNOFF	EMPUÑADURA
7	TR0440	1	TERMOSTATO 0°-90°	THERMOSTAT	THERMOSTAT	THERMOSTAT	TERMÓSTATO
8	907124	1	TERMOSTATO VASCA	THERMOSTAT DU PANIER	TANK THERMOSTAT	WANNER THERMOSTAT	TERMÓSTATO DE PILETA
9	904991	1	GUARNIZIONE 3/8"	JOINT	GASKET	DICHTUNG	GUARNICIÓN
10	902104	1	GHIERA 3/8" GAS	VIROLE	LOCK NUT	NUT MUTTER	ABRAZADERA
11	903434	1	SUPPORTO ELETTROVALVOLA	PALIER SOUPAPE ELECTRIQUE	BEARING ELECTRIC VALVE	TRÄGE ELEKTROVENTIL	SOPORTO VALVULA ELETRICA
12	902683	1	PRESSACAVO PG. 16	FIXAGE DU CABLE D'ALIM.	FIXING CABLE	KABELBEFESTIGER	PRESACAVO
13	902390	1	ELETTROVALVOLA A 1 VIA	SOUPAPE ELECTRIQUE	ELECTRIC VALVE	ELEKTROVENTIL	VALVULA ELETRICA
14	907344	1	TUBO DI CARICO	TUYAN D'ENTREÉ DE L'EAU	INLET PIPE	WASSERZUFÜHRROHR	TUBO
15	TR2433	1	VALVOLA ANTIRIFLUSSO	VALVE	VALVE	VENTIL	VALVULA
16	907295	4	TUBO GOMMA 12 x 19,5	TUYAU EN CAOUTCHOUC	RUBBER HOSE	GUMMISCHLAUCH	TUBO GOMA
17	902440	6	FASCETTA 13÷20	COLLIER	CLAMP	SHELLE	ABRAZADERA
18	905408	1	RACCORDO A "T" FILETTATO	RACCORD FILETÉ	THREADED JOINT	VERLEGTER ANSCHLUSS	ENLACE ROSCADA
19	907278	1	TUBO BRILLANTANTE	TUYAU	PIPE	LAUCH	TUBO ABRILLANTADOR
20	907279	1	TUBO ASP. BRILLANTANTE 4X6	TUYAU	PIPE	LAUCH	TUBO DE ASPIRACION ABRILL.
21	907820	1	VITE	VIS	SCREW	SCHRAUBE	TORNILLO
22	904430	1	O-RING TAPPO BOILER	O-RING BOUCHON	O-RING PLUG	O-RING FROPFEN	O-RING TAPÓN
23	902346	1	POMPA ESTERNA SCARICO VASCA	POMPE DÉCHARGE	DRAIN PUMP	PUMPE SPÜLUNG	BOMBA DESAGOTE
24	908196	1	MANICOTTO ASPIRAZIONE	MANCHON D'ASPIRATION	INLET ELBOW	ANSAUGMUFFE	PALANCA DE ASPIRACIÓN
25	907439	1	TUBO DI SCARICO Ø19 PIPA 90°	TUYAU DE DÉCHARGÉ	OUTLET HOSE	ABLAUFSCHLAUCH	TUBO DESAGOTE
26	902460	2	FASCETTA 26÷38	COLLIER	CLAMP	SHELLE	ABRAZADERA
27	902454	1	FASCETTA 19÷28	COLLIER	CLAMP	SHELLE	ABRAZADERA
28	904721	1	PASSACAVO	CHAUMARD	FAIRLEAD	KABELDURCHGANG	ASILADOR
29	906367	1	SUPPORTO TERMOSTATI	SUPPORT THERMOSTAT	THERMOSTAT SUPPORT	THERMOSTATHALTER	SOPORTE TERMÓSTATO

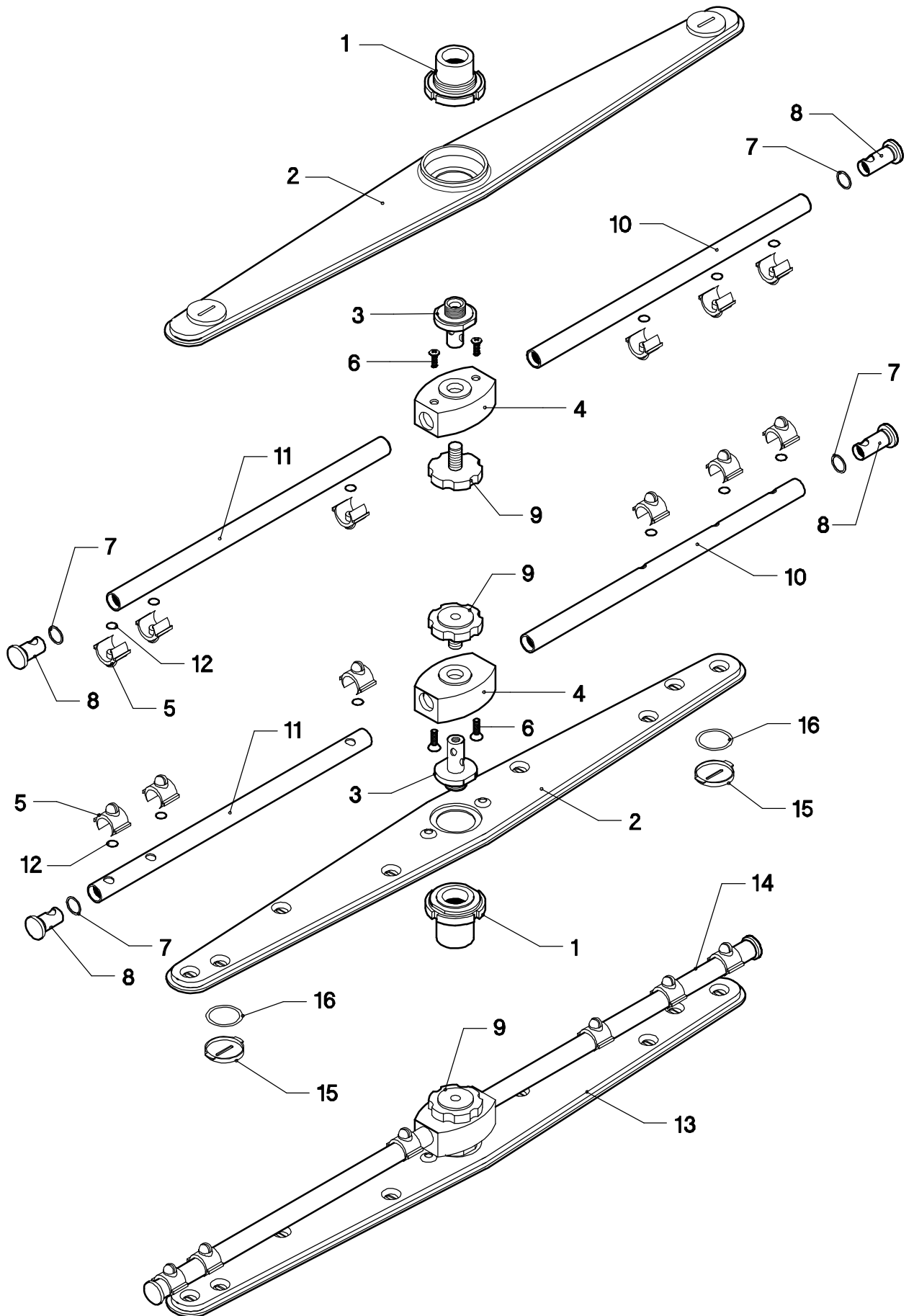


Pos.	COD.	Q.tà	DESCRIZIONE	DENOMINATION	DESCRIPTION	BEZEICHNUNG	DESCRIPCIÓN
1	905745	1	RESISTENZA 2500W	RESISTANCE	HEATING ELEMENT	HEIZKÖRPER	RESISTENCIA
2	902263	1	POMPA	POMPE	PUMP	PUMPE	BOMBA
3	908715	1	MANICOTTO MANDATA	MANCHON DE REFAULEM.	OUTLET ELBOW	AUSLAMUFFE	PALANCA DE MANDO
4	907279	1	TUBO PRESSOSTATO	TUYAU PRESSOSTAT	PRESSURE SWITCH PIPE	SCHLAUCH	TUBO PRESÓSTATO
5	902100	1	GHIERA 3/8" GAS	VIROLE	LOCK NUT	NUT MUTTER	ABRAZADERA
6	903756	2	TUBO GIUNZIONE	TUYAU	PIPE	SCHLAUCH	TUBO
7	903875	1	MANICOTTO ASPIRAZIONE	MANCHON D'ASPIRATION	INLET ELBOW	ANSAUGMUFFE	PALANCA DE ASPIRACIÓN
8	902441	8	FASCETTA Ø 38÷50	COLLIER	CLAMP	SHELLE	ABRAZADERA
9	903260	1	GUARNIZIONE	JOINT	GASKET	DICHTUNG	GUARNICIÓN
10	907252	1	TRAPPOLA ARIA	RESERVOIR AIR	AIR TRAP	LUFTFALLE	TRAMPA DEL AIRE
11	902440	5	FASCETTA Ø 13÷20	COLLIER	CLAMP	SHELLE	ABRAZADERA
12	907295	4	TUBO GOMMA 12 x 19,5	TUYAU EN CAOUTCHOUC	RUBBER HOSE	GUMMISCHLAUCH	TUBO GOMA
13	905382	1	RACCORDO A "T"	RACCORD	PIPE FITTING	ANSCHLUSS	ENLACE
14	908705	1	PERNO RISCIAQUO INFERIORE	TOURILLON DE RINÇAGE INFER.	INFERIOR RINSE PIN	UNTERSPELLSTIFT	PERNO ENJUAGUE INFERIOR
15	908456	1	BOCCOLA RIDUZIONE	RÉDUCTION	REDUCTION BUSH	VERKLEINERUNG	REDUCCIÓN
16	905388	1	RACCORDO INFER. LAVAGGIO	RACCORD DE LAVAGE INFER.	WASHING INFER. PIPE FITTING	UNTERANSCHLUSS WASCHEN	EMPALME INFER. DE LAVADO
17	908701	1	TUBO MANDATA SUPERIORE	TUYAU DE REFOUL. SUPERIEUR	UPPER OUTLET PIPE	OBERE AUSLASSROHR	TUBO DE MANDO SUPERIOR
18	905449	1	MOZZO LAVAGGIO/RISCIAQUO	MOYEU DE LAVAGE/RINÇAGE	WASHING/RINSE HUB	SPÜLUNG/NASCHSPÜLUNG NABE	BUJE DE LAVADO/ENJUAGUE
19	904799	1	PERNO RISCIAQUO	TOURILLON DE RINÇAGE	RINSE PIN	SPÜLLSTIFT	PERNO ENJUAGUE
20	906464	1	RACCORDO SCARICO 1"¼	RACCORD DÉCHARGÉ	PIPE FITTING FOR OUTLET	ABLAUFANSCHLUSS	EMPALME DESAGOTE
21	904380	1	O-RING	O-RING	O-RING	O-RING	O-RING
22	902080	1	GHIERA 1" ¼	VIROLE	LOCK-NUT	NUT MUTTER	ABRAZADERA
23	908702	1	DISTANZIALE	ENTRETOISE	SPACER	ENTFERNUNGSSTÜCK	DISTANCIADOR
24	906702	1	FILTRO VASCA	FILTRE BASSIN	TANK FILTER	FILTER WANNE	FILTRO BATEA
25	905456	1	MOZZO SUPERIORE DX	MOYEU SUPERIEUR DX	UPPER HUB DX	OBERNABE DX	BUJE SUPERIOR DX
26	908141	2	GUARNIZIONE	JOINT	GASKET	DICHTUNG	GUARNICIÓN
27	908124	1	FLANGIA	FLASQUE	FLANGE	FLANSCH	SOPORTE
28	907871	4	VITE M6X10	VIS	SCREW	SCHRAUBE	TORNILLO
29	902090	1	GHIERA 1" ¼	VIROLE	LOCK-NUT	NUT MUTTER	ABRAZADERA
30	902480	1	FASCETTA Ø 44÷56	COLLIER	CLAMP	SHELLE	ABRAZADERA
31	906004	1	RONDELLA	RONDELLE	WASHER	UNTERLEGSCHLEIBE	ARANDELA
32	900007	1	COPERCHIO RACCORDO ASP.	COUVERCLE RACCORD D'ASP.	INTAKE PIPE FITTING COVER	ANSAUGANSCHLUSSE DECKEL	TAPA EMPALME DE ASPIR.
33	902850	1	GHIERA	VIROLE	LOCK-NUT	NUT MUTTER	ABRAZADERA
34	905390	1	RACCORDO ASPIRAZIONE	RACCORD D'ASPIRATION	INTAKE PIPE FITTING	ANSAUGANSCHLUSSE	EMPALME DE ASPIRACIÓN

Pos.	COD.	Q.tà	DESCRIZIONE	DENOMINATION	DESCRIPTION	BEZEICHNUNG	DESCRIPCIÓN
35	903320	1	GUARNIZIONE	JOINT	GASKET	DICHTUNG	GUARNICIÓN
36	907846	1	VITE T.E. M10X16	VIS	SCREW	SCHRAUBE	TORNILLO
37	906055	2	RONDELLA	RONDELLE	WASHER	UNTERLEGSCHIEBE	ARANDELA
38	903403	1	GUARNIZIONE	JOINT	GASKET	DICHTUNG	GUARNICIÓN
39	902025	1	DADO M10	ÉCROU	NUT	MUTTER	TUERCA
40	907307	1	TROPPO PIENO	NIVEAU	OVER FLOW	VEBERLAUF	DAMISIADO LLENO
41	904404	1	O-RING	O-RING	O-RING	O-RING	O-RING

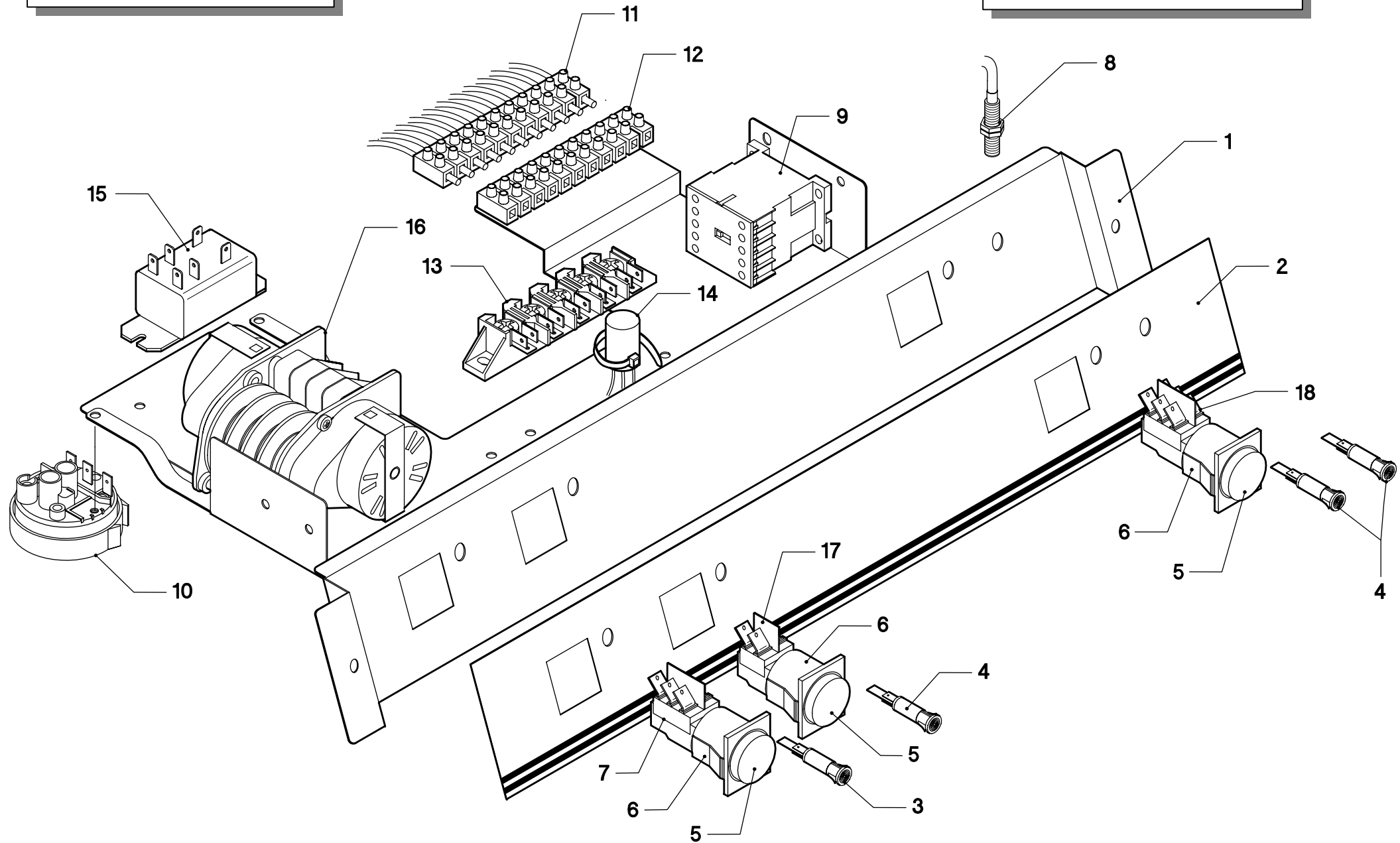
TAV. 4

ED. 12/2005



N700F PS

Pos.	COD.	Q.tà	DESCRIZIONE	DENOMINATION	DESCRIPTION	BEZEICHNUNG	DESCRIPCIÓN
1	904277	2	MOZZO + GHIERA	MOYEU + VIROLE	HUB + RING-NUT	NABE + KLEMMUTTER	BUJE + ABRAZADERA
2	902908	2	GIRANTE LAVAGGIO	BRAS DE LAVAGE	WASH ARM	SPÜLLARM	RODETE LAVADO
3	904760	2	PERNO GIRANTE RISC.	TOURILLON DE RINÇAGE	RINSE PIN	SPÜLLSTIFT	PERNO RODETE ENJUAGUE
4	904292	2	MOZZO GIRANTE RISC.	MOYEU	HUB	NABE	BUJE RODETE ENJUAGUE
5	902816	12	GETTO RISCIAQUO	JET DE RINÇAGE	RINSING JET	SPÜLLDUSE	CHORRO ENJUAGUE
6	907651	4	VITE TPS M 4x8	VIS	SCREW	SCHRAUBE	TORNILLO
7	904321	4	O-RING	O-RING	O-RING	O-RING	O-RING
8	906450	4	TAPPO PER BRACCIO RISC.	BOUCHON BRAS DE RINÇAGE	PLUG FOR RINSE ARM	VERSCHLUSS SPÜLLAUF	TAPÓN PARA BRAZO ENJUAGUE
9	902880	2	GHIERA BLOCCAGGIO	FRETTE DE BLOCAGE	RING-NUT	KLEMMUTTER	ABRAZADERA BLOQUEO
10	954806	2	BRACCIO RISCIAQUO DX	BRAS DE RINÇAGE DROITE	RIGHT RINSE ARM	RECHTE SPÜLLAUFRAD	BRAZO ENJUAGUE DERECHO
11	954807	2	BRACCIO RISCIAQUO SX	BRAS DE RINÇAGE GAUCHE	LEFT RINSE ARM	LINKE SPÜLLAUFRAD	BRAZO ENJUAGUE IZQUIERDO
12	904388	12	O-RING	O-RING	O-RING	O-RING	O-RING
13	903107	2	GIRANTE LAVAGGIO COMP.	BRAS DE LAVAGE COMPL.	COMPL. WASH ARM	SPÜLLARM KOMPL.	RODETE LAVADO COMPL.
14	903017	2	GIRANTE RISCIAQUO COMP.	BRAS DE RINÇAGE COMPL.	COMPL. RINSE ARM	SPÜLLSTIFT KOMPL.	RODETE ENJUAGUE COMP.
15	906445	4	TAPPO ISPEZIONE	BOUCHON	PLUG	FROPFEN	TAPÓN
16	904324	4	O-RING TAPPO ISPEZIONE	O-RING	O-RING	O-RING	O-RING



Pos.	COD.	Q.tà	DESCRIZIONE	DENOMINATION	DESCRIPTION	BEZEICHNUNG	DESCRIPCIÓN
1	906800	1	PANNELLO COMANDI	TABLEAU COMMANDE	ELECTRIC PANEL	SCHALTAFEL	PANEL DE COMANDO
2	906999	1	TARGA	PLAQUETTE	PLATE	SCHILD	PLACA
3	903632	1	SPIA LINEA	LAMPE DE LIGNE	LINE LAMP	KONTROLLAMPE	LUZ LÍNEA
4	903629	3	LAMPADA	LAMPE	LAMP	KONTROLLAMPE	LÁMPARA
5	905305	3	TASTO TONDO	BOUTON	KEY	TASTE	TECLA
6	905307	3	SUPPORTO TASTO	SUPPORT BOUTON	SUPPORT KEY	TASTEHALTER	SOPORTE TECLA
7	905317	1	INTERRUTTORE ON/OFF	INTERRUPTEUR	SWITCH	DRUCKKNOPF	UNTERRUPTOR
8	909054	1	REED MAGNETICO	REED	REED	REED	REED MAGNÉTICO
9	907095	1	TELERUTTORE	TELERUPTEUR	CONTACTOR	SCHUTZ	TELERRUPTOR
10	905270	1	PRESSOSTATO 20/40	PRESSOSTAT	PRESSURE SWITCH	DRUCHWAECHTE	PRESOSTATO
11	908467	1	MORSETTIERA 11 POLI	BORNES	TERMINAL BOARD	KLEMMLEISTE	TABLEROS DE BORNES
12	908468	1	MORSETTIERA 11 POLI	BORNES	TERMINAL BOARD	KLEMMLEISTE	TABLEROS DE BORNES
13	904150	1	MORSETTIERA	BORNES	TERMINAL BOARD	KLEMMLEISTE	TABLEROS DE BORNES
14	902107	1	FILTRI ANTIDISTURBO TRIFASE	FILTRE ANTIDERANGEMENT	NOISE FILTER	ENTSTORFILTER	FILTROS DE RUIDOSIDAD
15	905476	1	RELÉ	RELAIS	RELAY	RELAIS	RELÉ
16	907180	1	TIMER CICLO	TYMER CYCLE	CYCLE TYMER	ZYCLUSZEITUHR	TYMER CICLO
17	905312	1	PULSANTE CICLO	BOUTON CYCLE	CYCLE PUSH-BUTTON	DRUCKKNOPF "ZYCLUS"	INTERRUPTOR CICLO
18	905313	1	PULSANTE 6 FASTON	BOUTON	PUSH-BUTTON	DRUCKTASTE	BOTÓN